

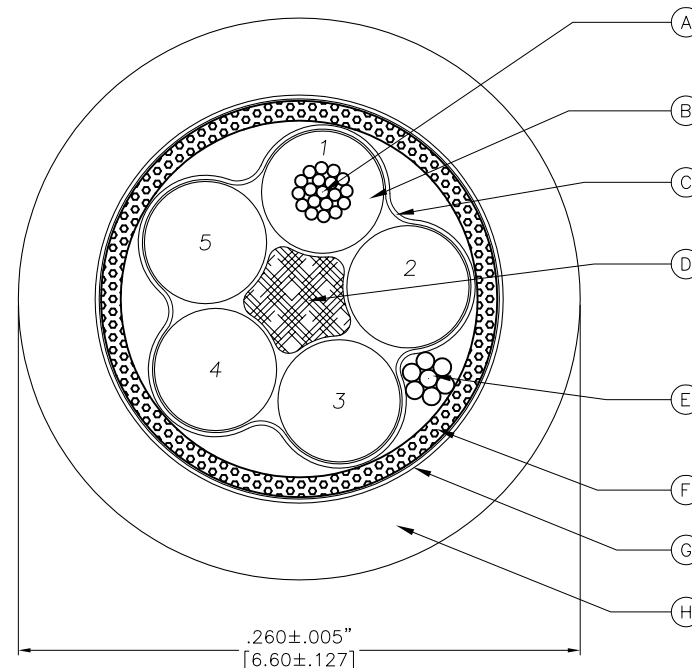
5x22 AWG ITC/PLTC AWM 2586 105C 600V

SPECIFICATIONS

A	22 AWG 19x.0058" UNILAY TINNED COPPER
B	PVC INSULATION
C	ALUMINUM/POLYESTER FOIL SHIELD (FOIL OUT)
D	FILLER
E	24 AWG TINNED COPPER DRAIN WIRE
F	38 AWG TINNED COPPER BRAID (65% COVERAGE)
G	PAPER SEPARATOR
H	PVC JACKET JACKET COLOR: GRAY CABLE IS RoHS COMPLIANT, CE

CONDUCTOR COLORS

- 1 = BROWN
- 2 = WHITE
- 3 = BLUE
- 4 = BLACK
- 5 = GRAY



MECHANICAL REQUIREMENTS

STATIC: 5x CABLE O.D.
FLEX SHIELDED: 15x CABLE O.D.


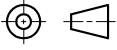
NOTES:

1. BLACK INK

101550713 22 AWG/5 (UL) ITC 105C UL# SUNLIGHT RESISTANT OR PLTC 105C -40C OIL RES I & II OR AWM 105C 600V OR CSA CMX OUTDOOR-CMG CSA# 105C OR CSA AWM I/II A/B 105C 600V FT4 CE
SUPPLIER LOT CODE (WHEN APPLICABLE) MFG DATE CODE (EXAMPLE 00108 (DAY & YEAR))

2. c(UL) IS ACCEPTABLE IN PLACE OF ANY/ALL CSA MARKINGS.

NOTE: CONDUCTOR ROTATION MAY BE INVERTED FROM VIEW SHOWN **SOURCE DRAWING - FOR REFERENCE ONLY**

RELATED DOCUMENTS		3RD ANGLE PROJECTION		THIS DRAWING IS CONFIDENTIAL AND THE PROPERTY OF TURCK INC. USE OF THIS DOCUMENT WITHOUT WRITTEN PERMISSION IS PROHIBITED.		 <p>3000 CAMPUS DRIVE MINNEAPOLIS, MN 55441 1-800-544-7769 (763) 553-7300 (763) 553-0708 fax www.turck.us</p>	
1. 2. 3. 4.				DRFT CK DATE 05/04/11		DESCRIPTION CAB,6.6,GRY,PVC,5X22,S-,ITC	
MATERIAL SEE SPECIFICATIONS		ALL DIMENSIONS DISPLAYED ON THIS DRAWING ARE FOR REFERENCE ONLY		APVD DO SCALE NONE		IDENTIFICATION NO. 101550713 (SOURCE)	
FINISH SEE SPECIFICATIONS		CONTACT TURCK FOR MORE INFORMATION		UNIT OF MEASUREMENT INCH [MILLIMETER]		REV E	
E ADD "CE"		RDS	06/20/17	60891		FILE: 101550713	
REV	DESCRIPTION	BY	DATE	ECO NO.		SHEET 1 OF 1	

DO NOT SCALE THIS DRAWING